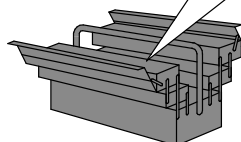
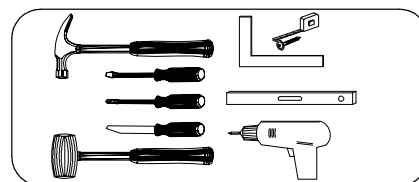
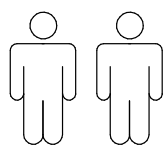
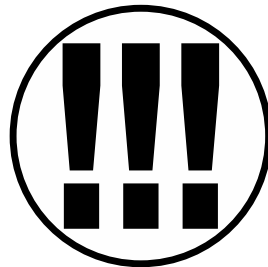
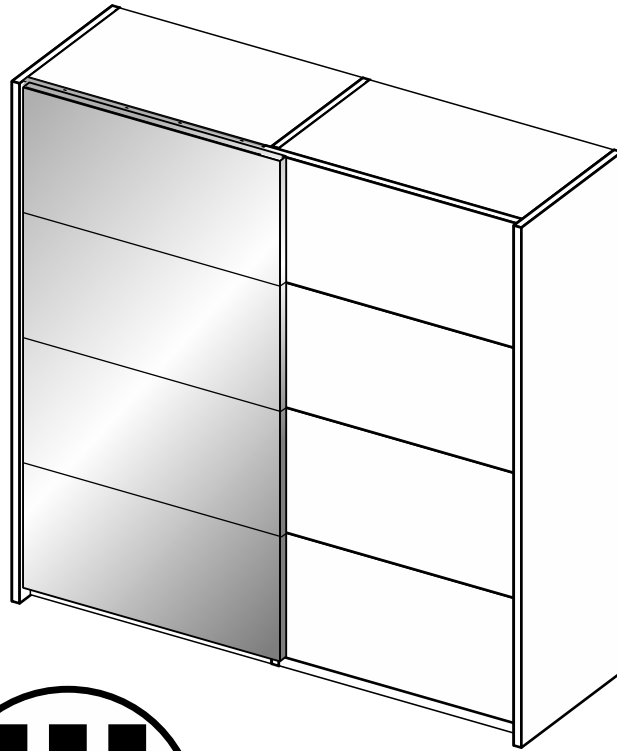
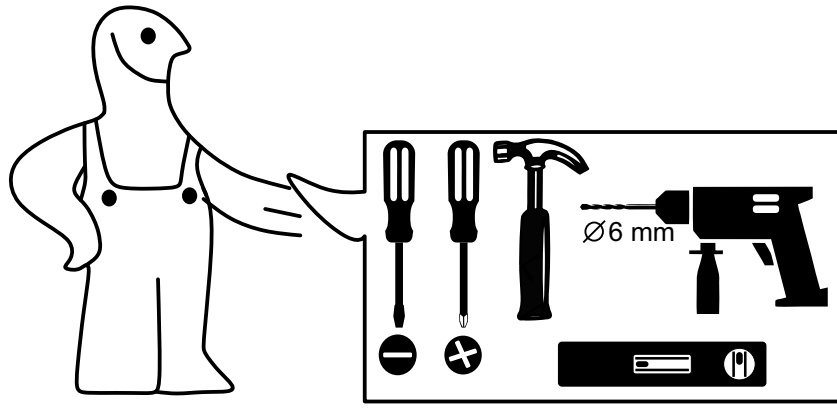


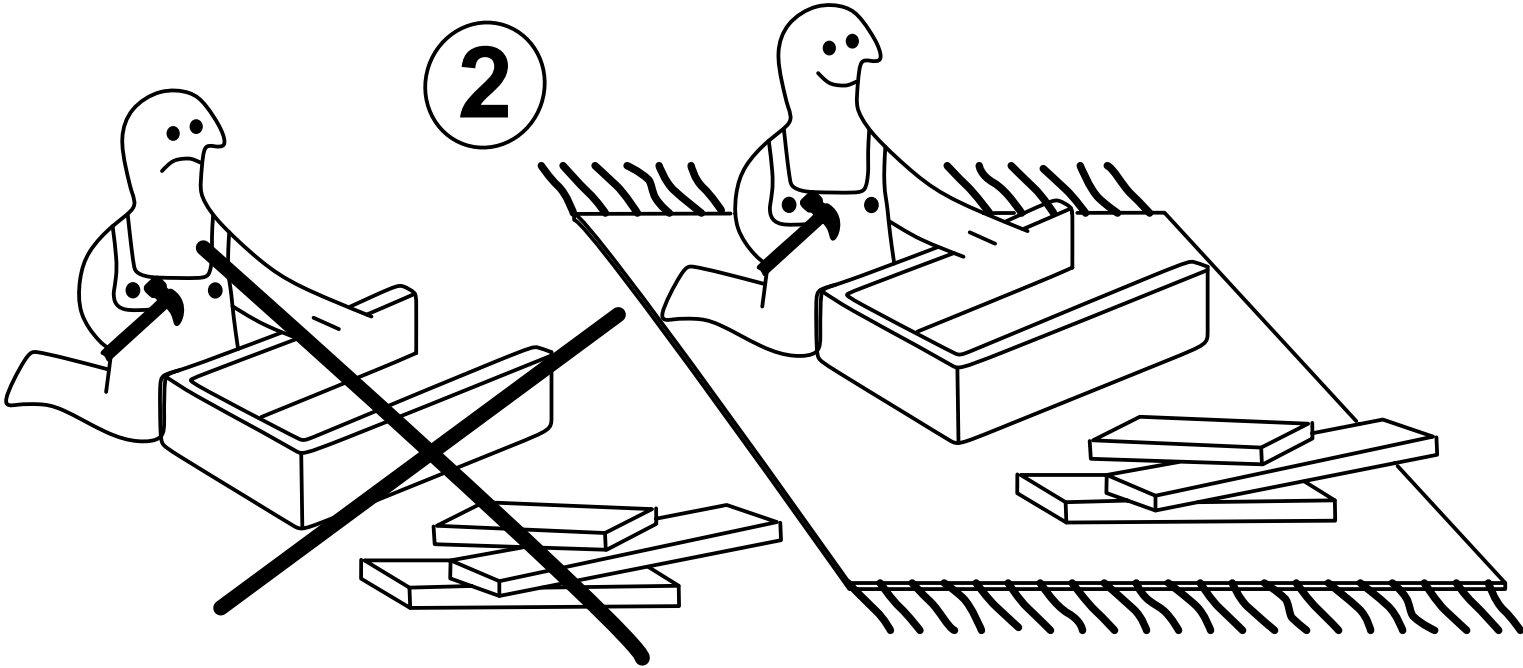
BIANCO BI-21-WB ; BI-27-WB



1



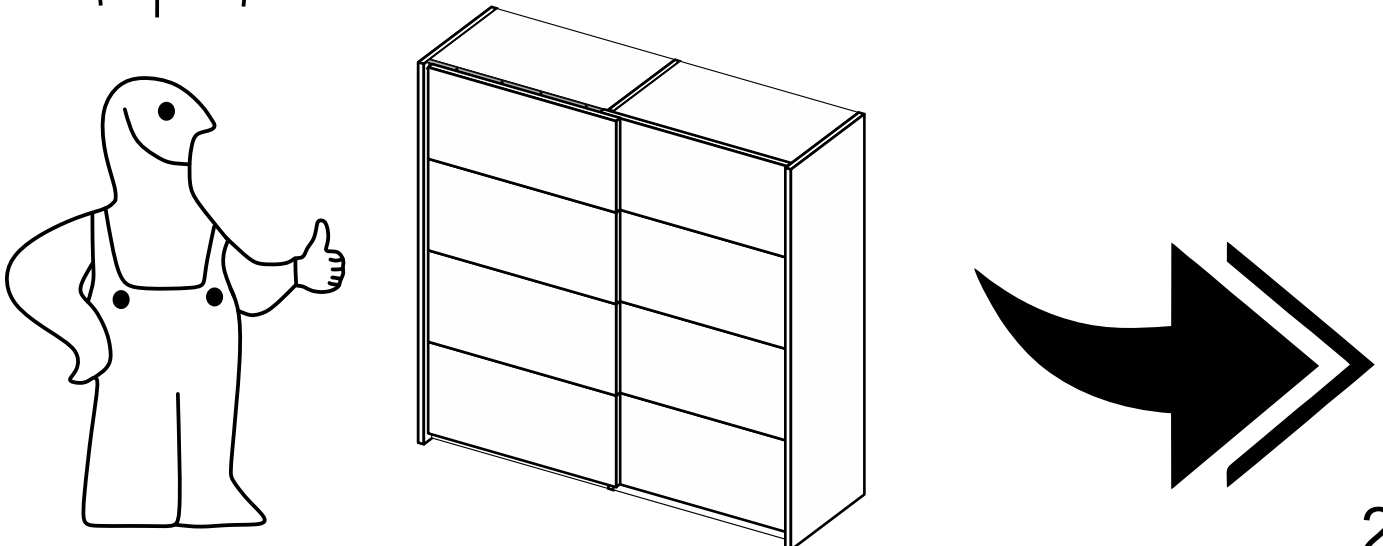
2

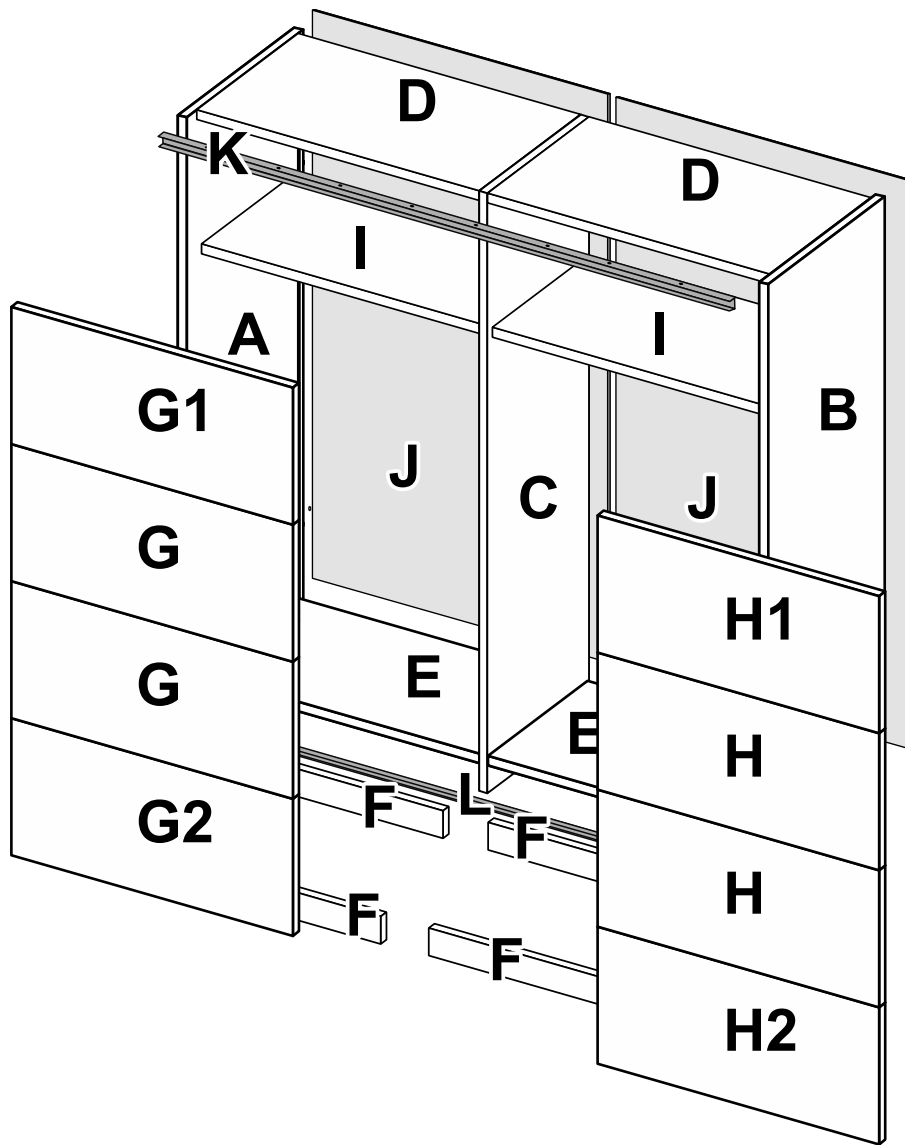


3



4



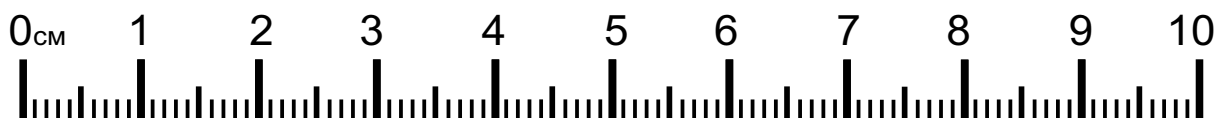


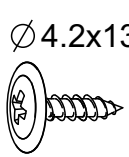
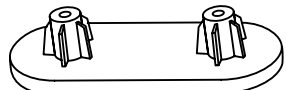

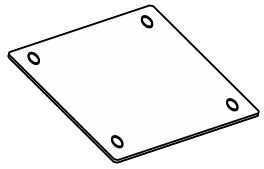
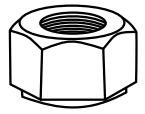
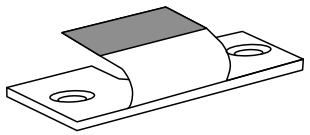
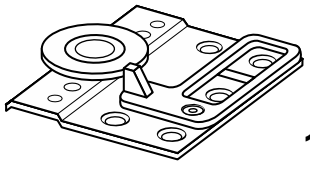
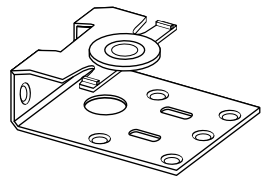
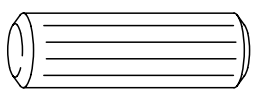
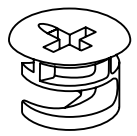
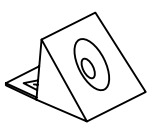
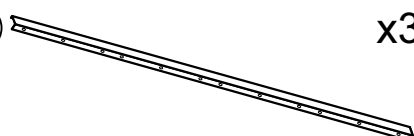
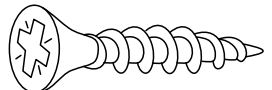
2.0 m

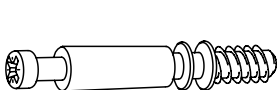
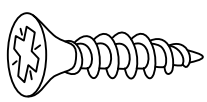
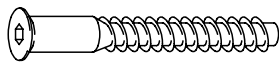

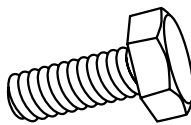
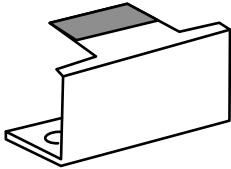
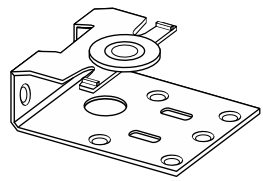
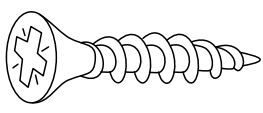
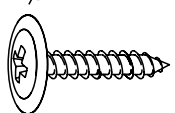

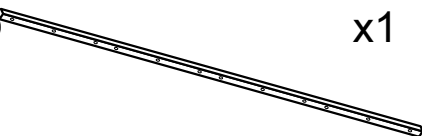
A	-	2102	x	580	x	16	-	x	1
B	-	2102	x	555	x	16	-	x	1
C	-	2102	x	521	x	16	-	x	1
D	-	976	x	521	x	16	-	x	2
E	-	976	x	521	x	16	-	x	2
F	-	975	x	50	x	16	-	x	4
G	-	1013	x	512	x	16	-	x	2
G1	-	1013	x	512	x	16	-	x	1
G2	-	1013	x	512	x	16	-	x	1
H	-	1013	x	512	x	16	-	x	2
H1	-	1013	x	512	x	16	-	x	1
H2	-	1013	x	512	x	16	-	x	1
I	-	976	x	515	x	22	-	x	2
J	-	2052	x	988	x	3	-	x	2
K	-	STB 22					-	x	1
L	-	STB 15					-	x	1

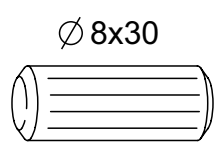

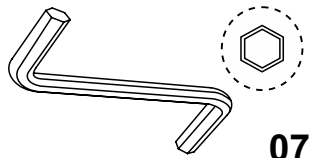
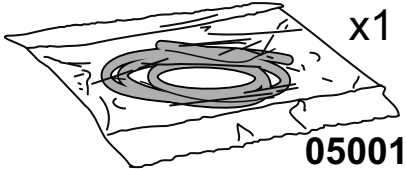
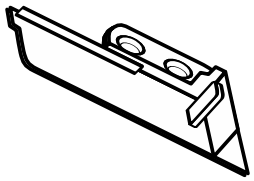
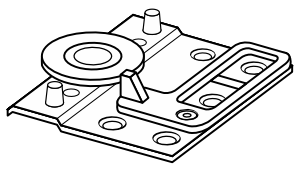
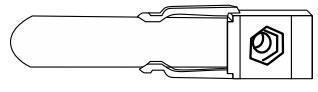
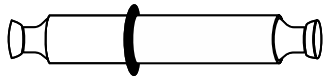
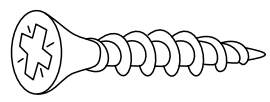
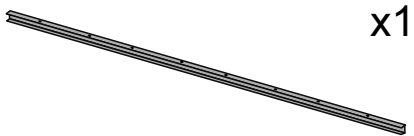
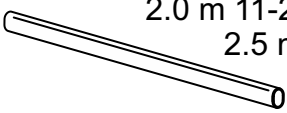
* 2.5 m

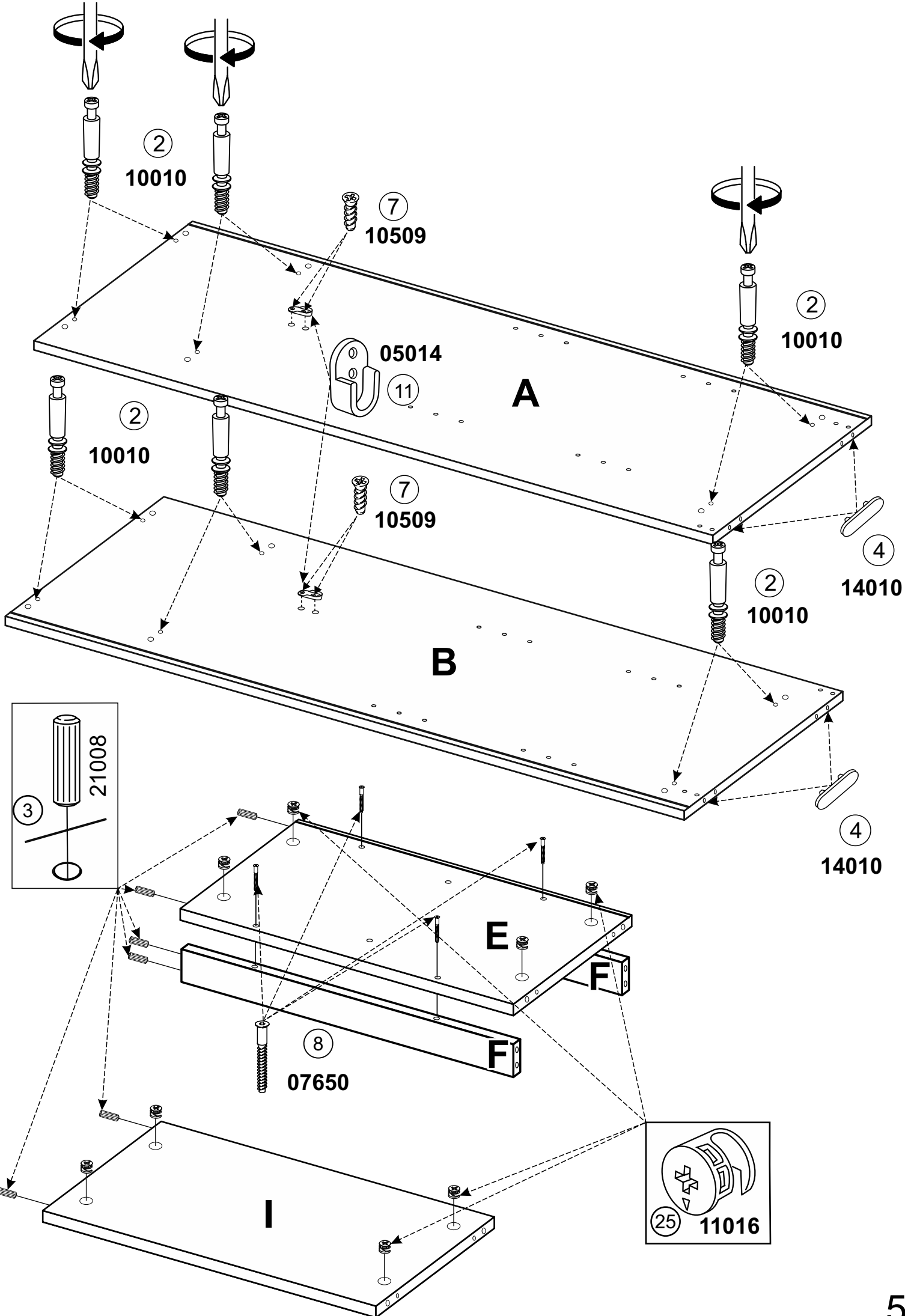
A	-	2102	x	580	x	16	-	x	1
B	-	2102	x	555	x	16	-	x	1
C	-	2102	x	521	x	16	-	x	1
D	-	1226	x	521	x	16	-	x	2
E	-	1226	x	521	x	16	-	x	2
F	-	1226	x	50	x	16	-	x	4
G	-	1263	x	512	x	16	-	x	2
G1	-	1263	x	512	x	16	-	x	1
G2	-	1263	x	512	x	16	-	x	1
H	-	1263	x	512	x	16	-	x	2
H1	-	1263	x	512	x	16	-	x	1
H2	-	1263	x	512	x	16	-	x	1
I	-	1226	x	515	x	22	-	x	2
J	-	2052	x	1239	x	3	-	x	2
K	-	STB 22					-	x	1
L	-	STB 15					-	x	1

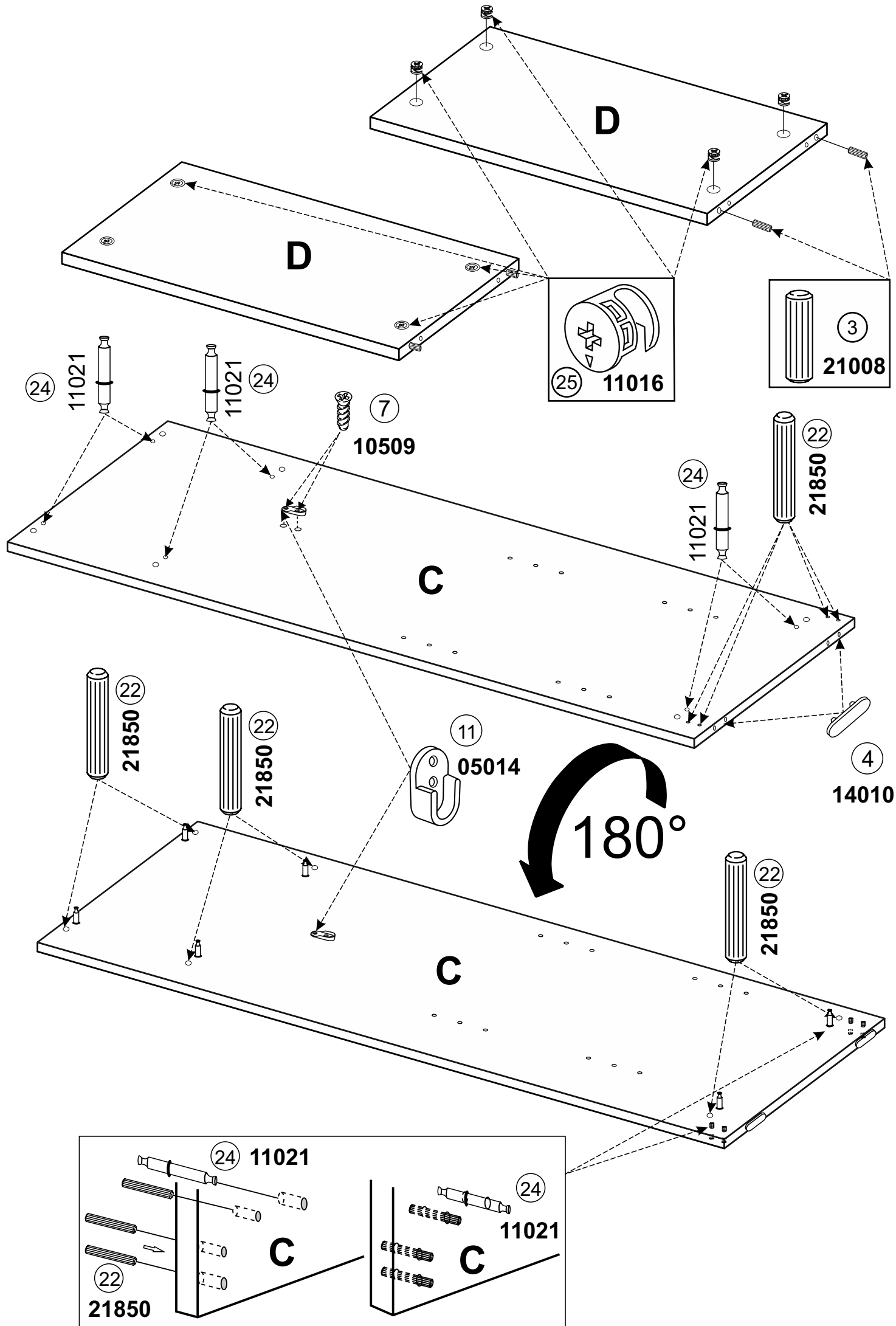


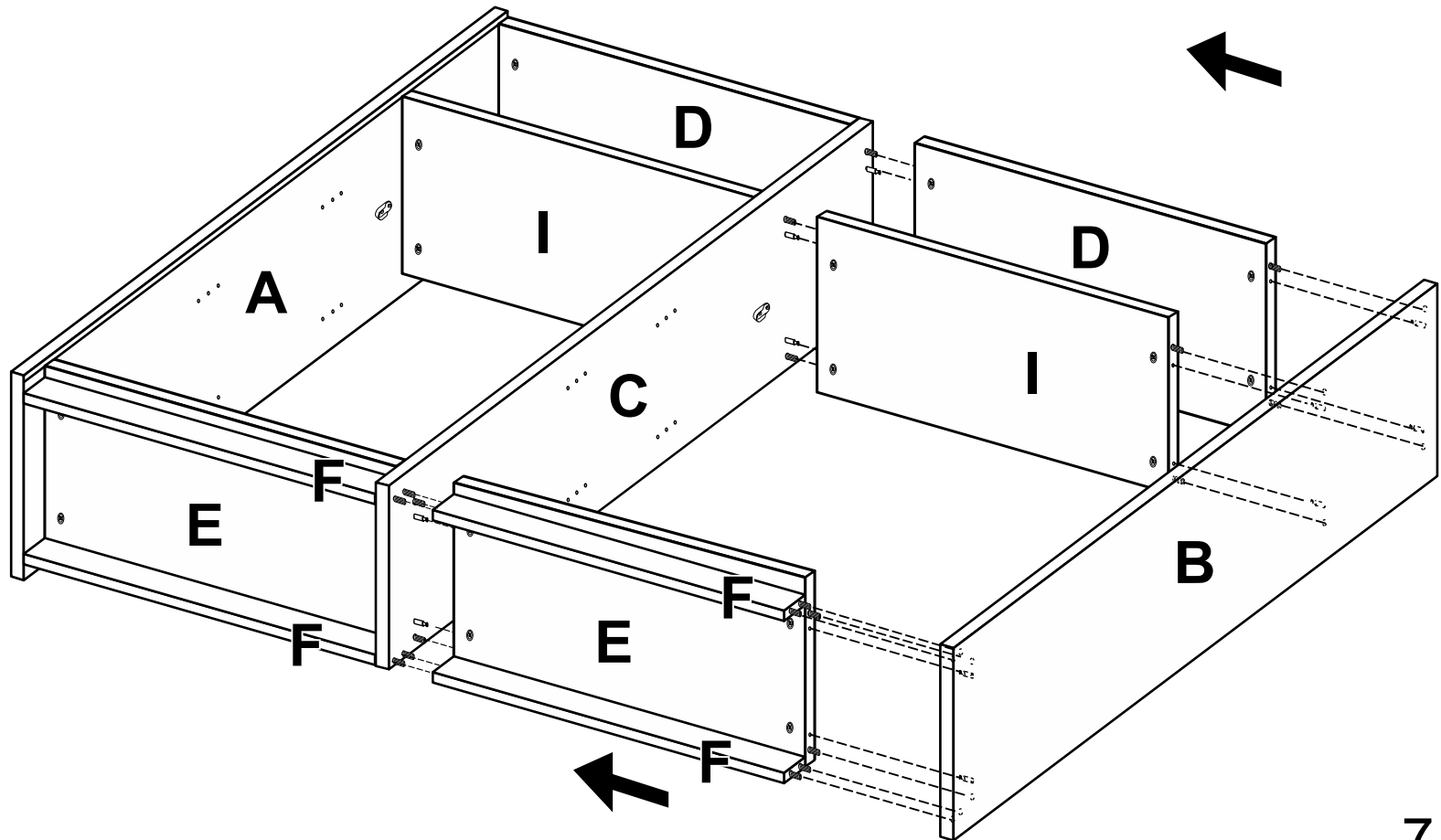
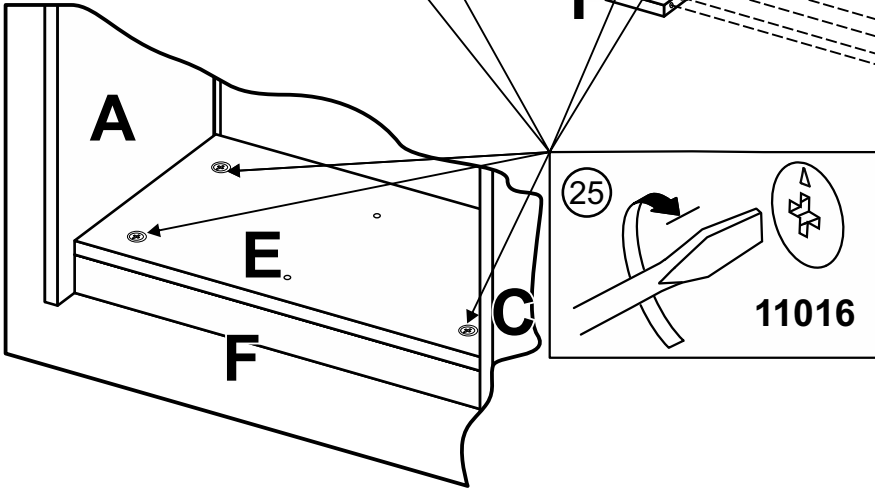
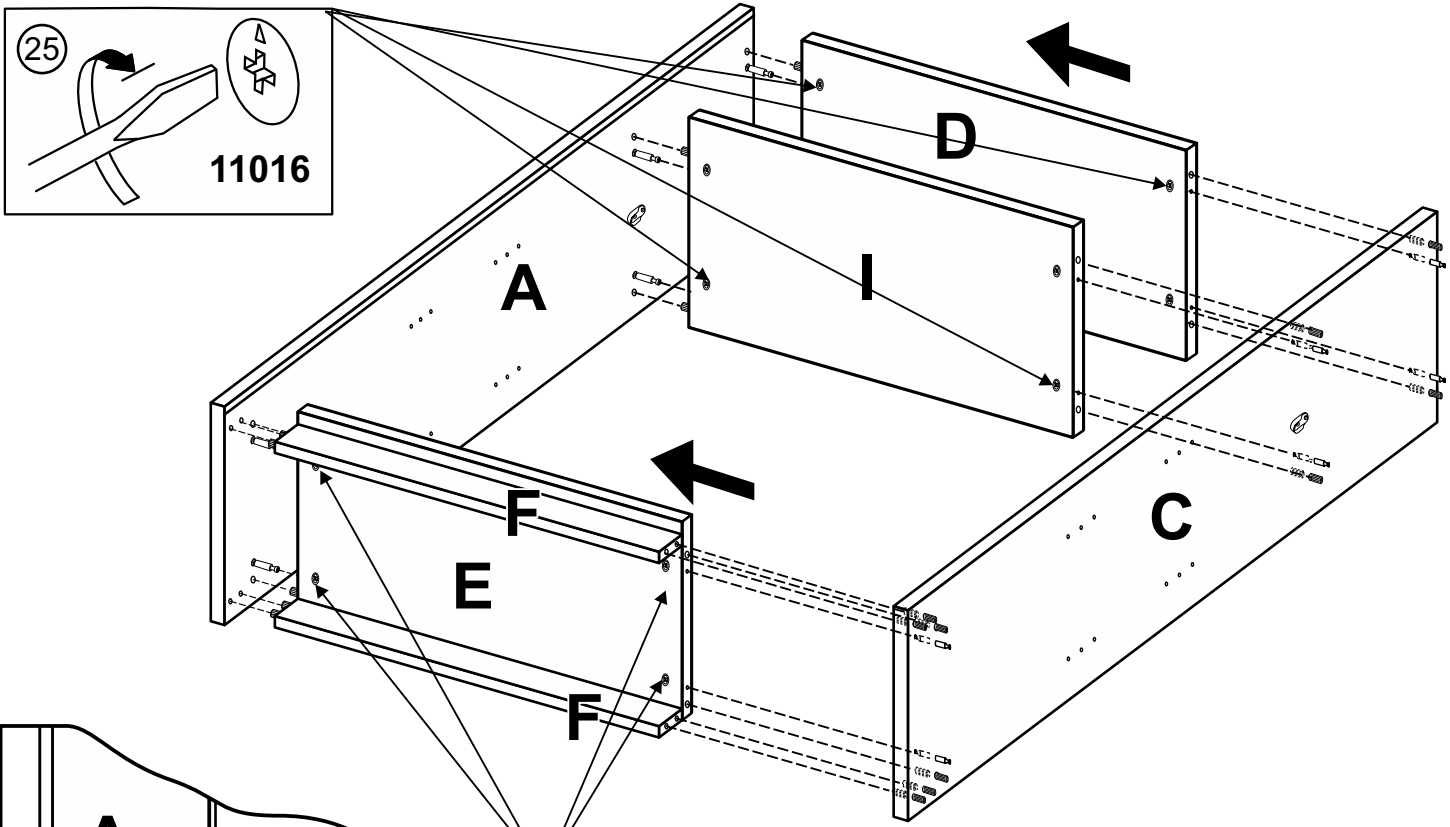
①	 $\varnothing 4.2 \times 13$	x8 x9*	10413
④		x6	14010
⑦	 $\varnothing 5 \times 9$	x8	10509
⑩		x12	05034
⑬		x2	17041
⑯		x2	17034
⑲		x1	17036
⑳		x2	17038
㉒	 $\varnothing 8 \times 50$	x10	21850
㉕	 $\varnothing 4.2 \times 19$	x24	11016
㉘		x6	08003
㉛		x3	19061
㉜	 $\varnothing 3 \times 16$	x48	10217

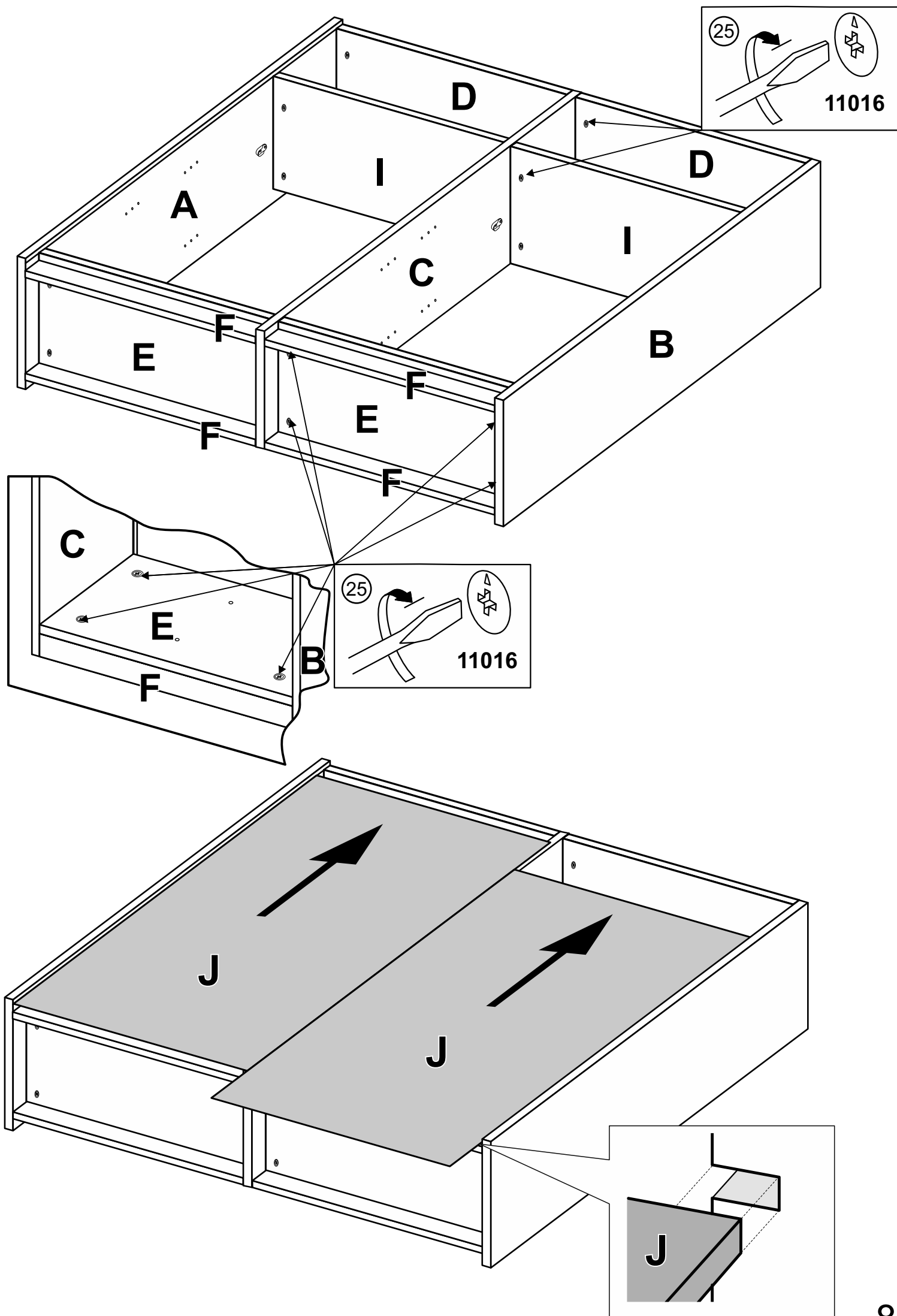
②	 $\varnothing 4.2 \times 13$	x12	11002
⑤	 $\varnothing 3.5 \times 15$	x58	10315
⑧	 $\varnothing 6.4 \times 50$	x8	07650
⑪		x4	05014
⑭		x2	17042
⑰		x2	17035
㉑		x2	17038
㉓	 $\varnothing 4 \times 16$	x4	17416
㉖	 $\varnothing 4.2 \times 19$	x50 x70*	10419
㉙		x1	STB 15
㉚		x1	19062

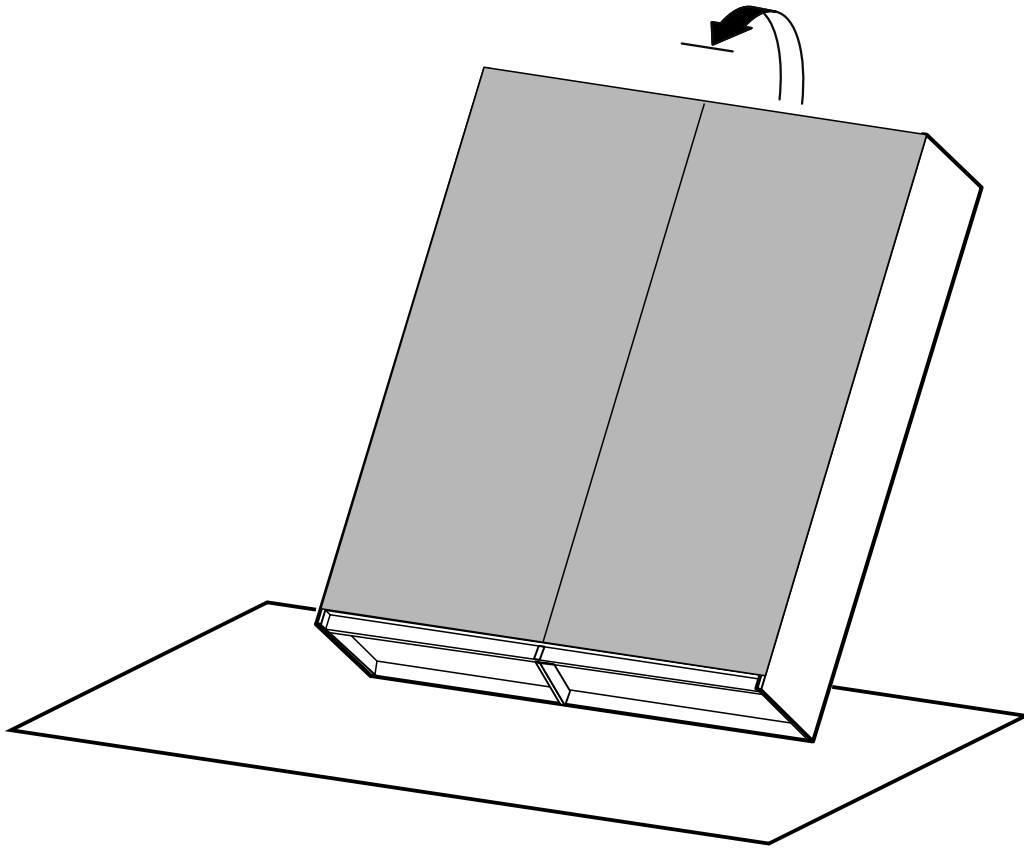
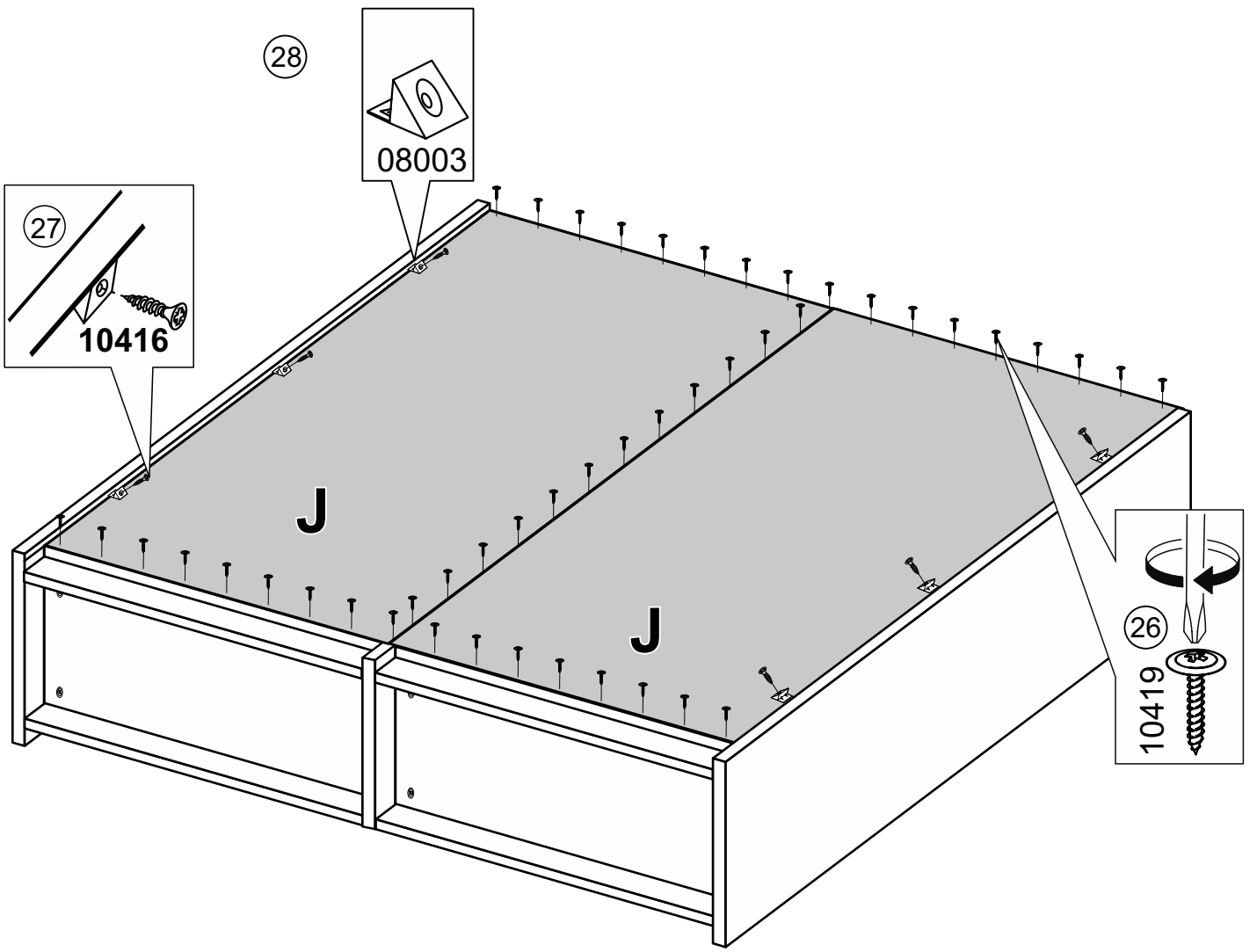
③	 $\varnothing 8 \times 30$	x20	21008
⑥	 $\varnothing 6 \times 10.5$	x28	10614
⑨		x1	07001
⑫		x1	05001
⑮		x2	17043
⑱		x1	17037
㉒		x2	17039
㉔	 $\varnothing 4 \times 16$	x6	11021
㉗	 $\varnothing 4 \times 16$	x6	10416
㉚		x1	STB 22
㉛		x2	1.5 m 11-2-TR-17 2.0 m 11-2-TR-14 2.5 m 11-2-TR-15

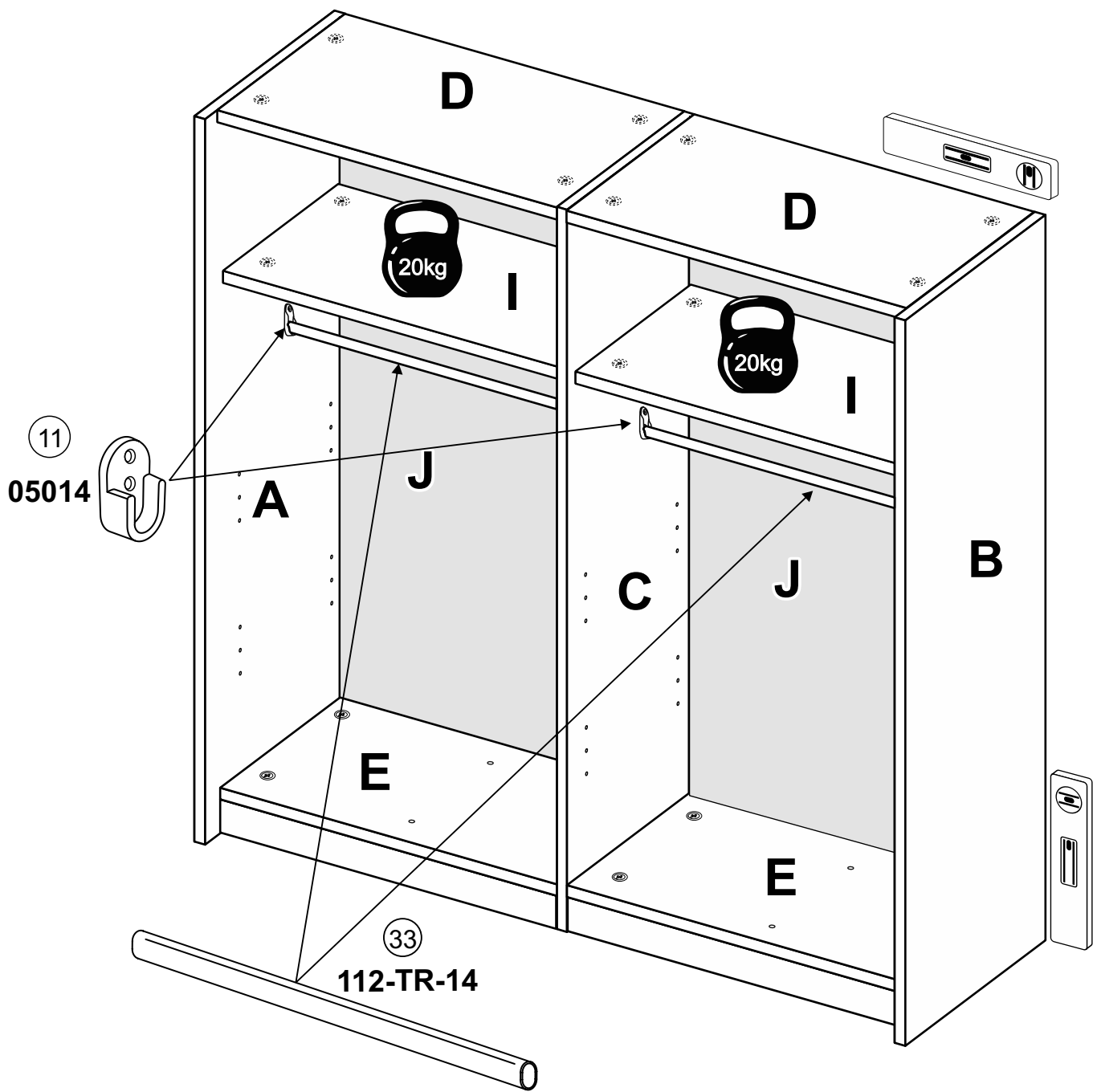


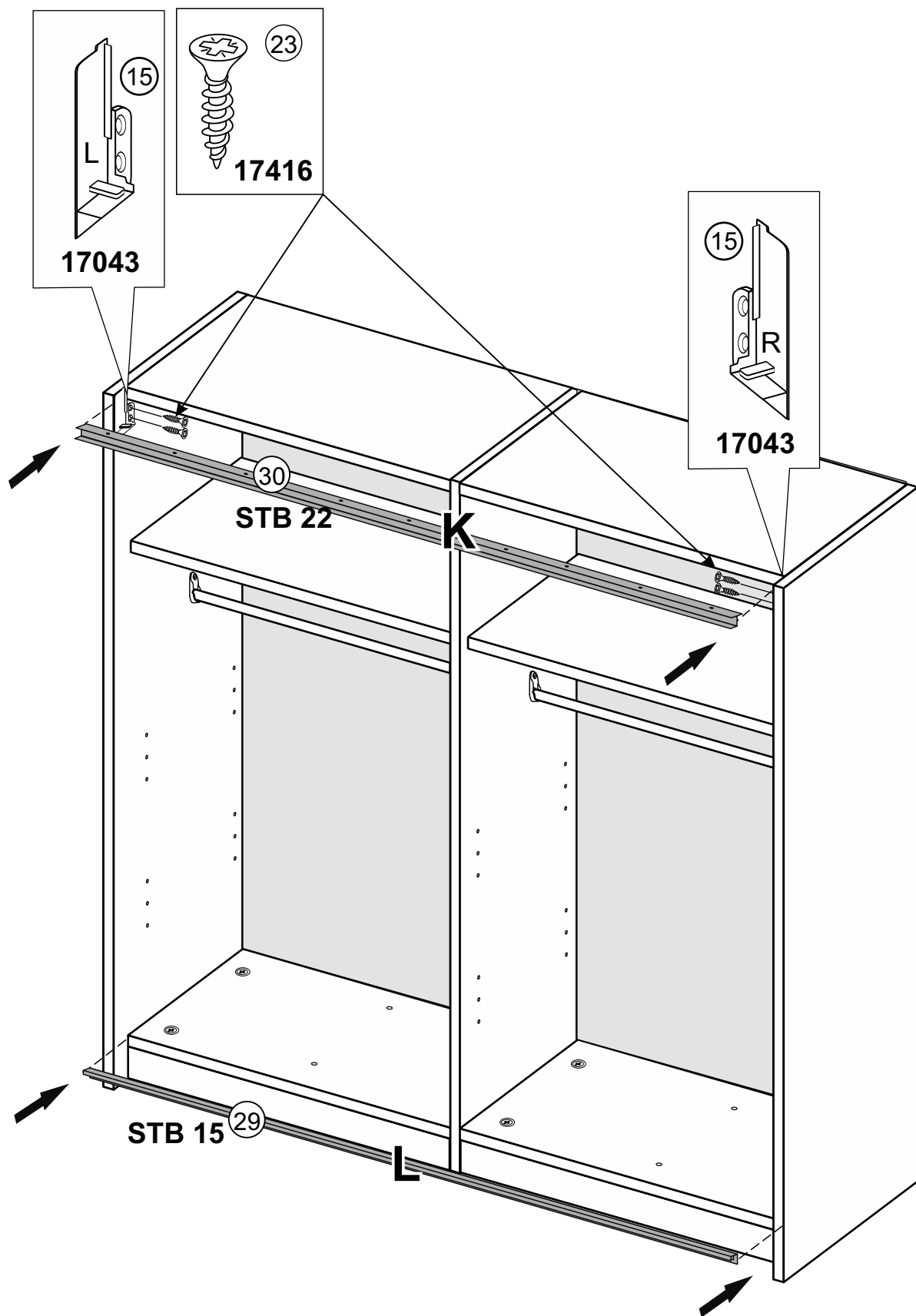


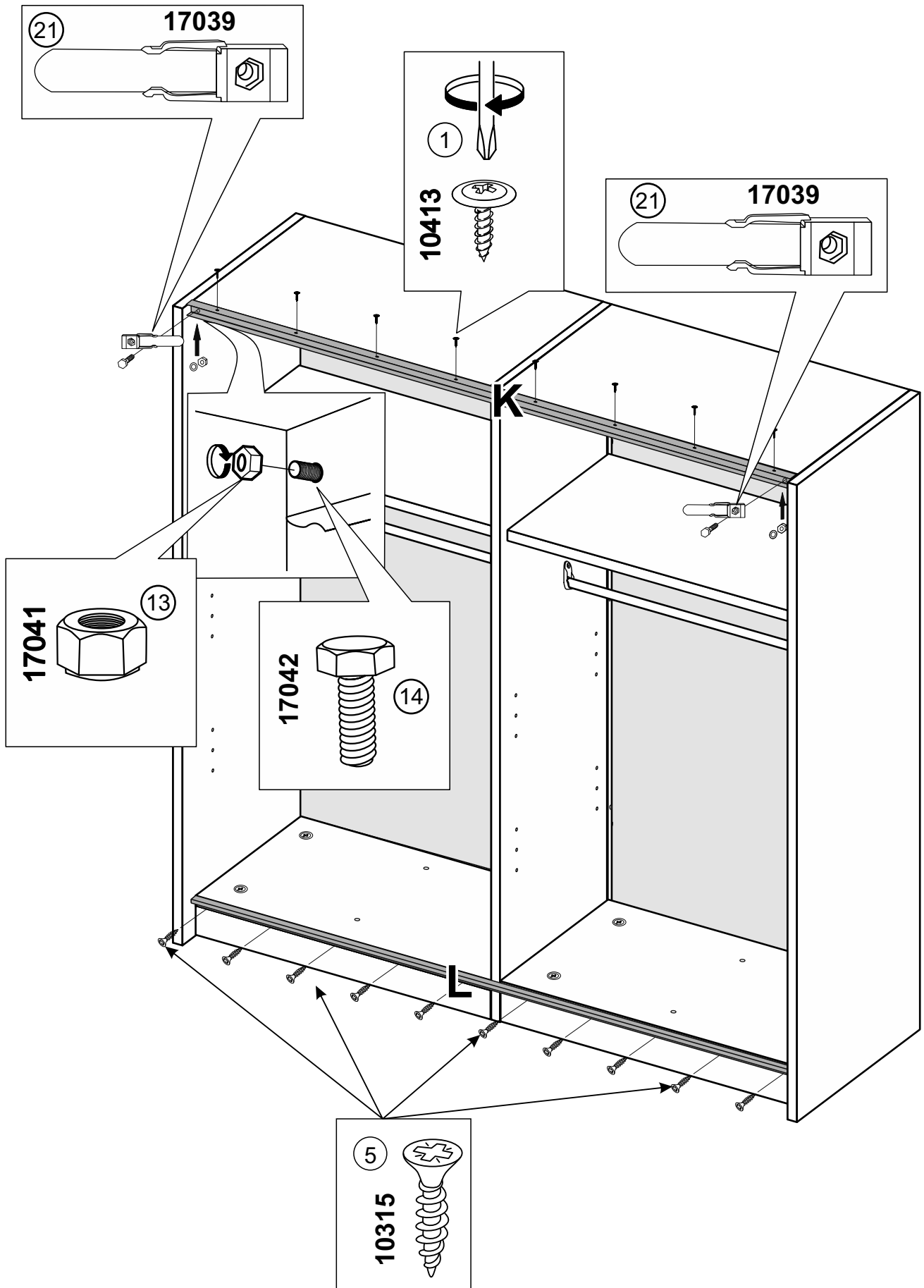


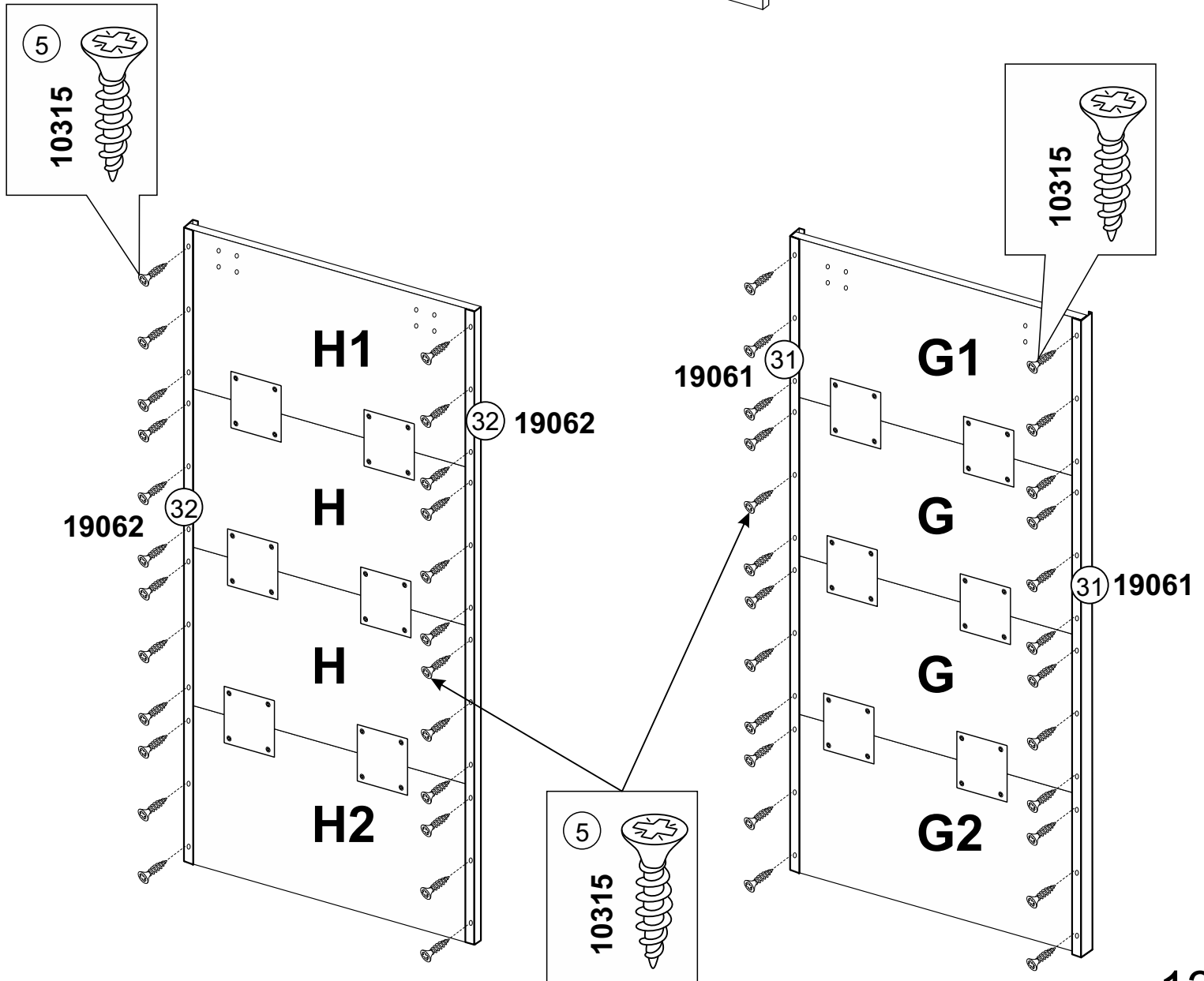
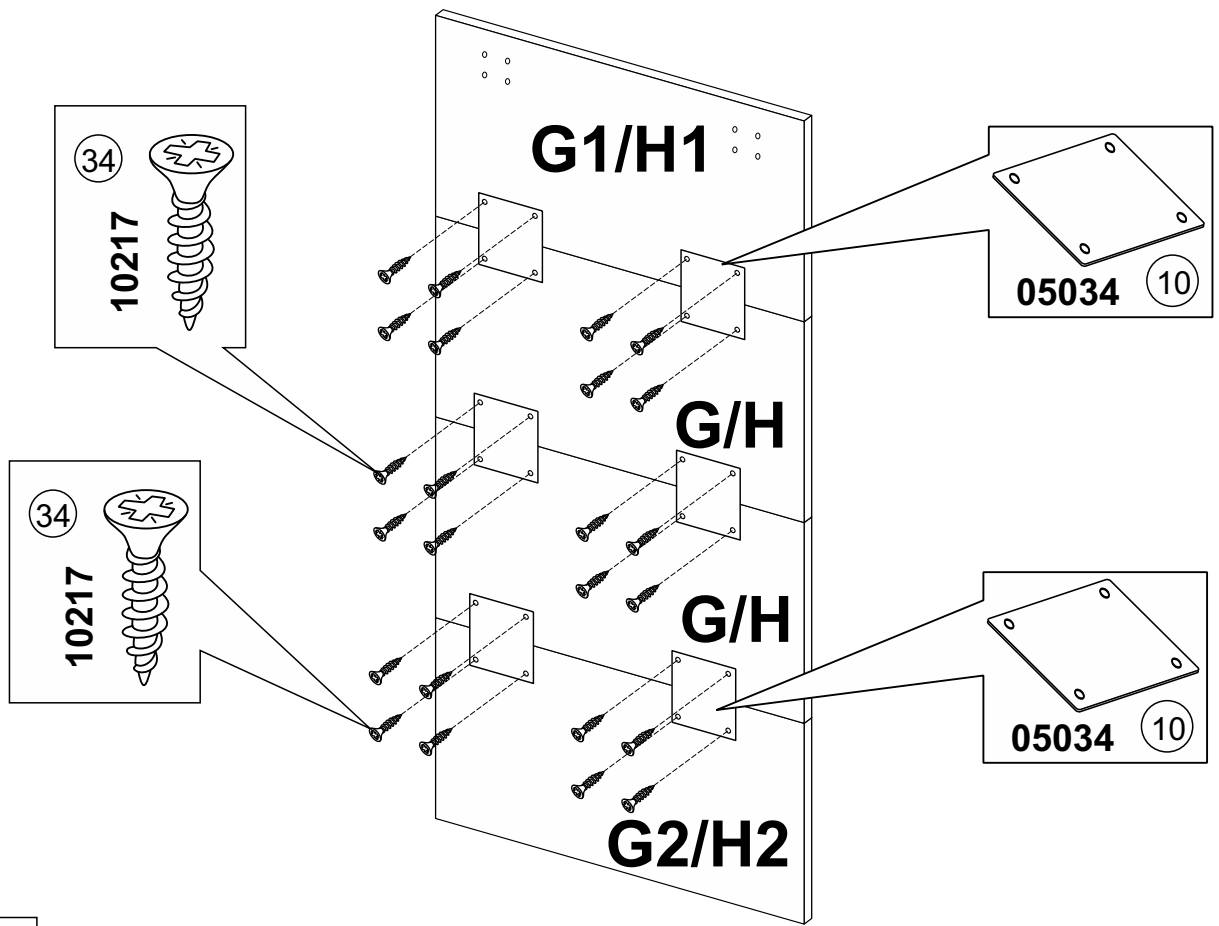


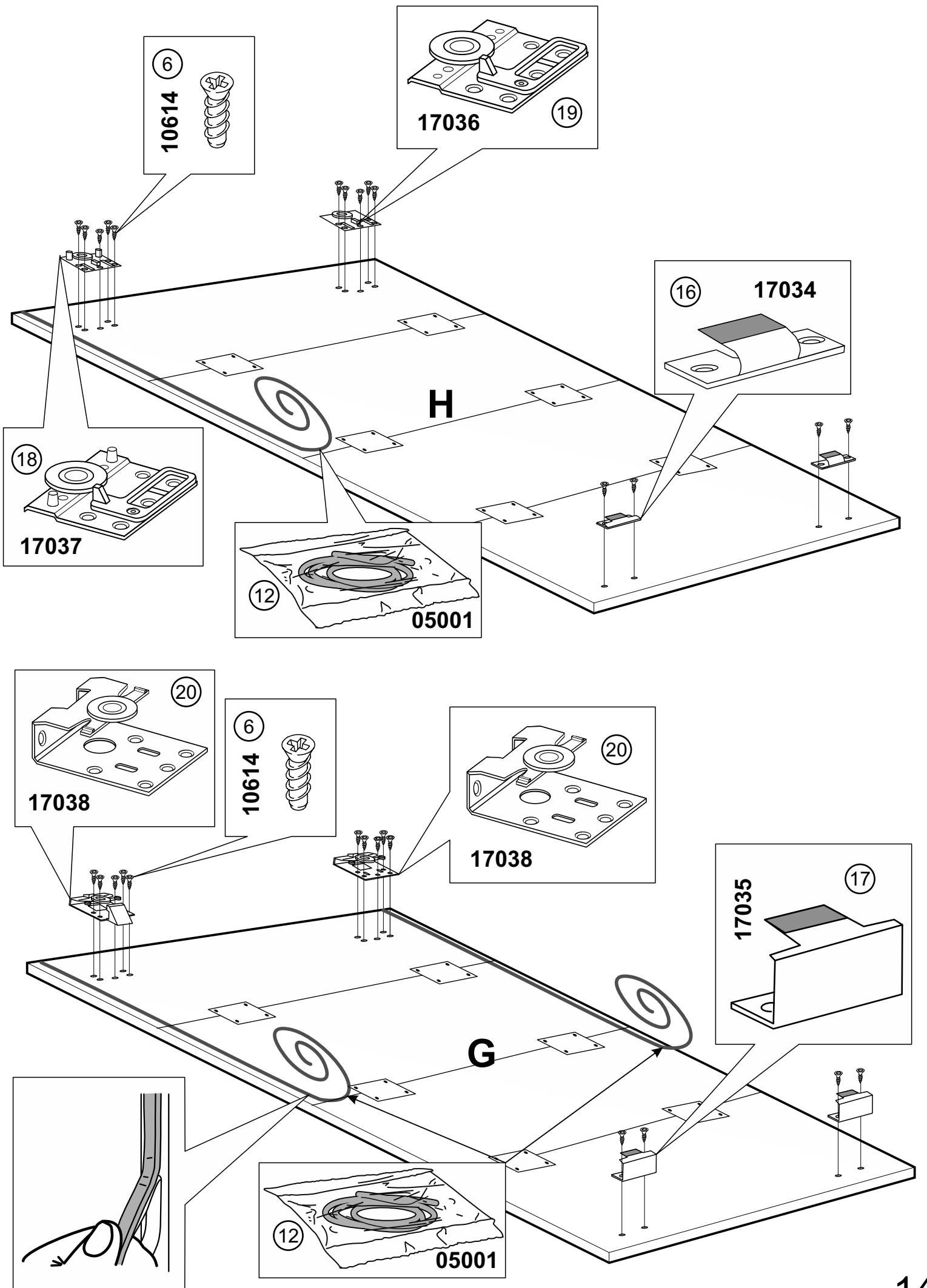


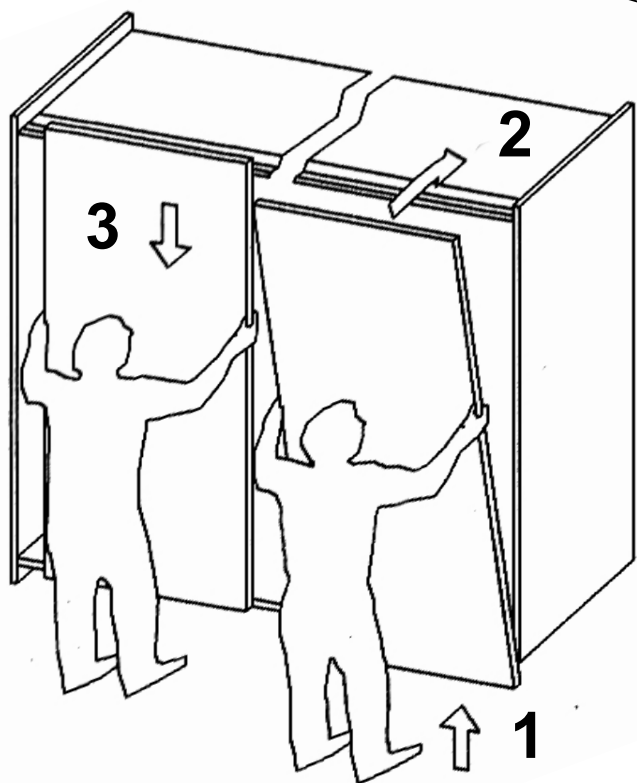
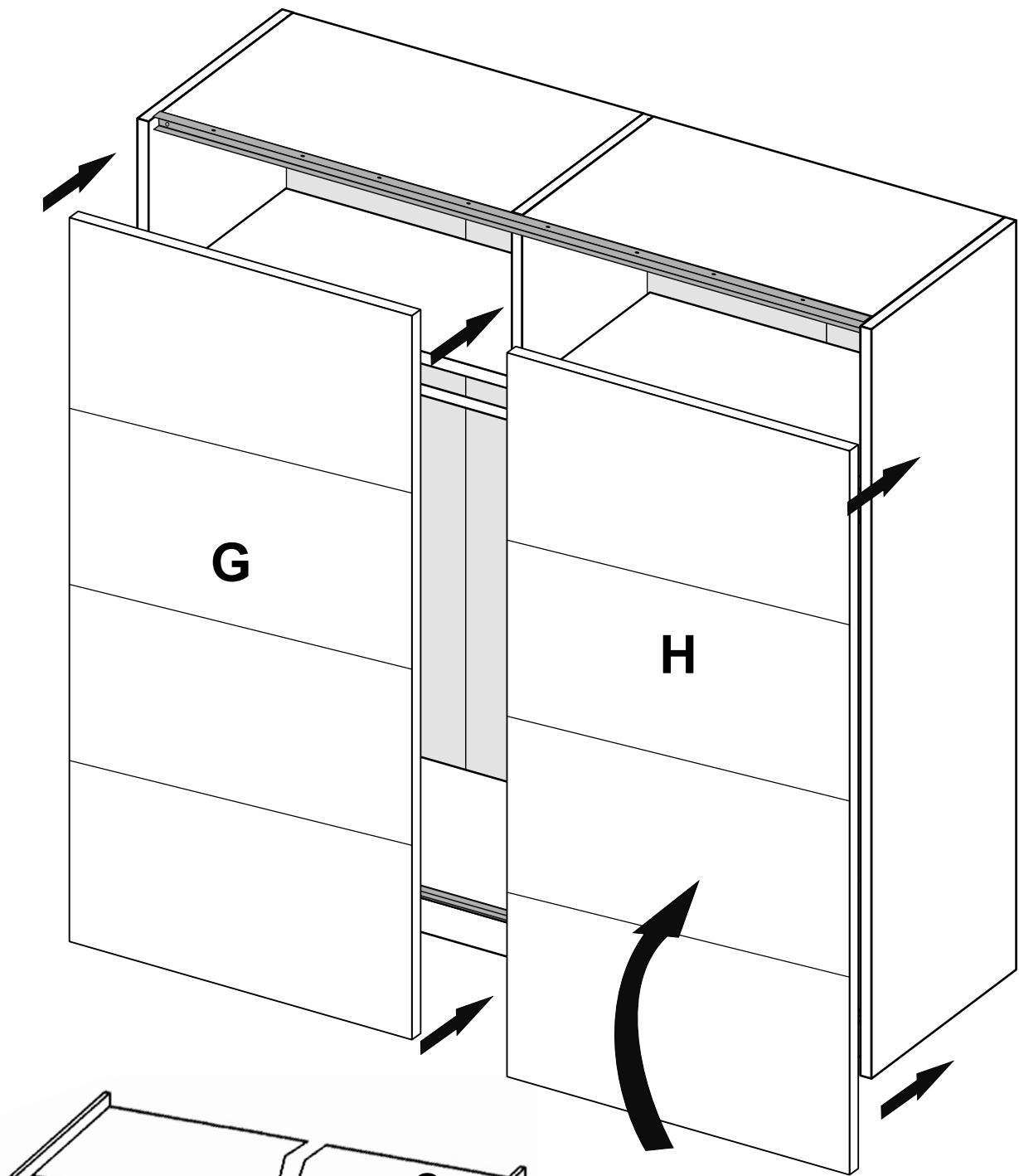


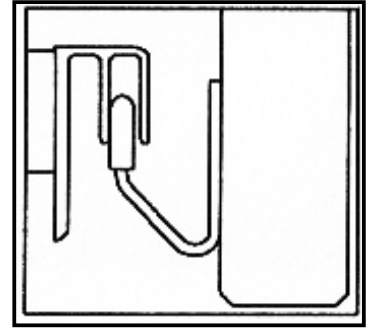
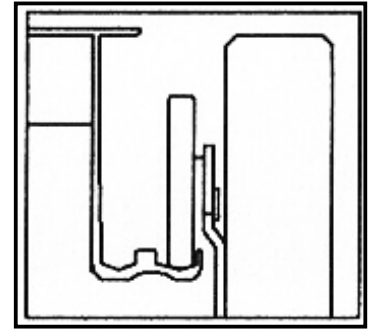
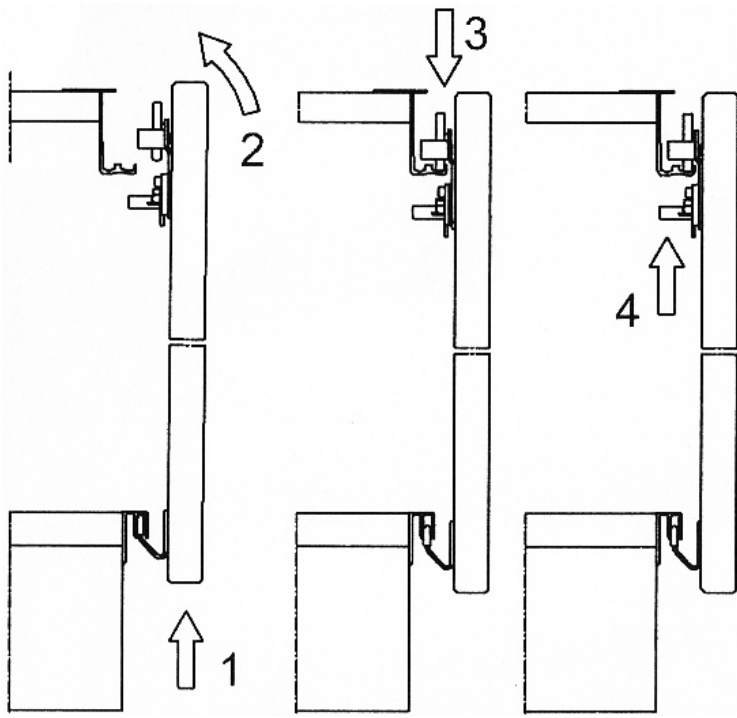




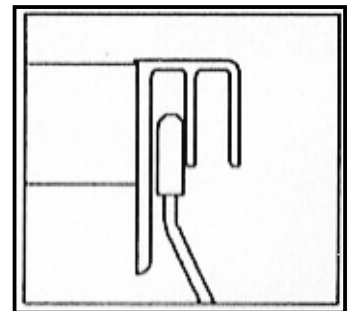
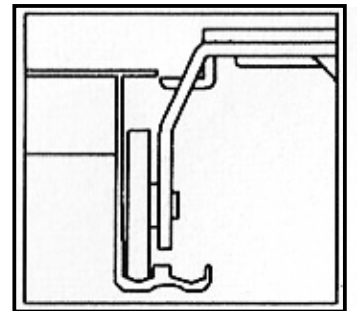
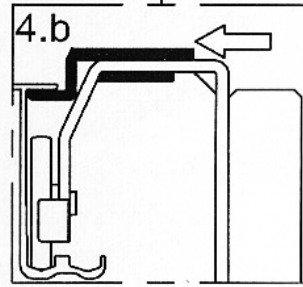
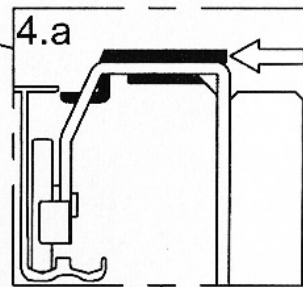
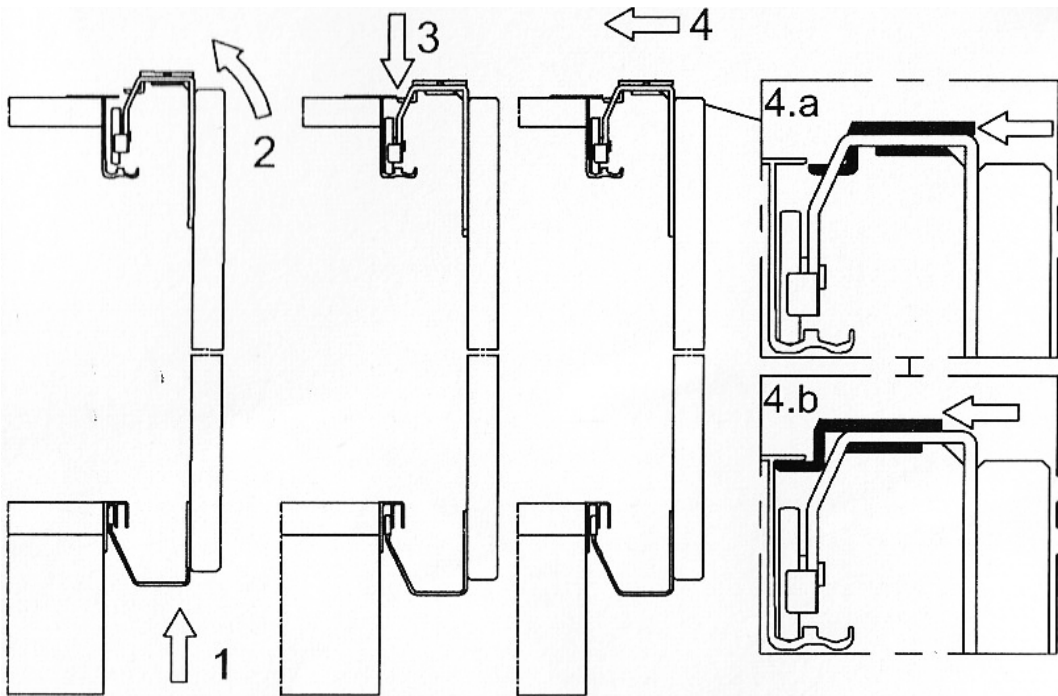








H



G